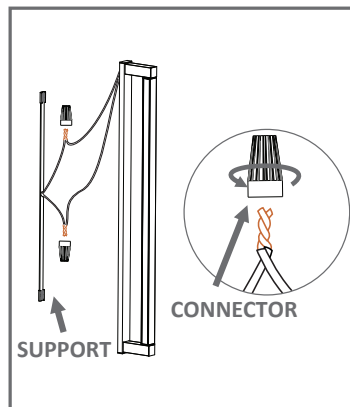
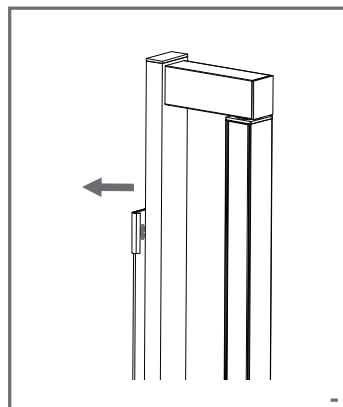


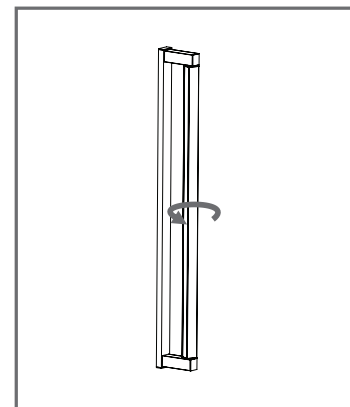
1° Fix the support. Bushing and screws that come with the product are only indicated for fixing in masonry. In case of fixing in other materials (plaster) use specific dowels and screws



2° Connect the luminaire using the connectors that came with the product.



3° Fit the part in the support and press until you hear the spring click, as shown in the image above.



4° Position the luminaire of your choice by turning it up until it reaches the limit of rotation.

NOTE: Leave the mains cables waiting in the hole on the support.

<b>ML-2276</b>	3000K	1200lm	22" x 3" x 1"	120V	<b>Power:</b> 9W	<b>Weight:</b> 0.68 lbs
<b>ML-2278</b>	3000K	2400lm	41 6/8" x 3" x 1"	120V	<b>Power:</b> 18W	<b>Weight:</b> 1.20 lbs

### Attention

Follow the instructions to ensure proper and safe operation. We recommend that the installation be done by a qualified professional. Recessed ceiling installation requires rigid support point attachment and special installations require special attachment.

### Important

Lamps, transformers, and reactors are not included with the product except as noted. Failure to follow the instructions in the manual could result in accidents and loss of warranty. Do not adjust springs and brackets unless otherwise indicated.  
 Warranty: 1 year for product and 5 years for Led and Driver.

### Cleaning and Maintenance

Before any action turn off the electric current. Clean only with water dampened flannel, never use chemicals or abrasives. The materials that make up the product are non-toxic.