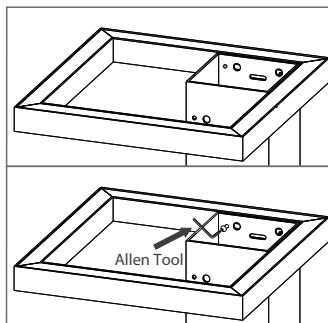
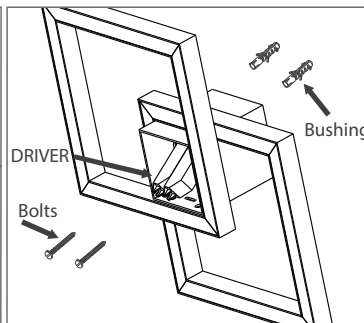


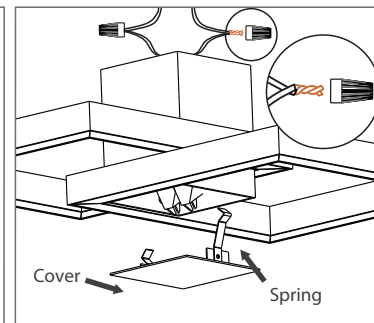
- 1° - The product can be mounted with indirect or direct light, position the acrylic diffuser according to your preference.
- 2° - Position the squares in their respective holes in the base as indicated by the image above.



- 3° - Pass the red and black wires to the base holes.
- 4° - Fix the square on the base with the allen bolts using the tools inside the package. and repeat it with the other square.



- 5° - Connect the black and red wires of one square on the connectors black and red from the one of drivers and repeat it with the other square and driver.
- 6° - Make the fixing holes and pass the wires through and let it waiting.
- 7° - Fix the fixture on the ceiling/wall using the fixing kits (bushing and bolts).



- 7° - Connect the drivers on the electrical network and fit the cover on the fixture and enjoy it.

ML-2260 3000K 7392lm 120V 26 1/4" x 26 1/4" x 5 1/4" **Weight:** 5.36 lbs **Power:** 67W

Product indicated for indoor areas.

Attention

Follow the instructions to ensure proper and safe operation. We recommend that the installation be done by a qualified professional. Recessed ceiling installation requires rigid support point attachment and special installations require special attachment.

Important

Lamps, transformers, and reactors are not included with the product except as noted. Failure to follow the instructions in the manual could result in accidents and loss of warranty. Do not adjust springs and brackets unless otherwise indicated.

Warranty: 1 year for product and 5 years for Led and Driver.

Cleaning and Maintenance

Before any action turn off the electric current. Clean only with water dampened flannel, never use chemicals or abrasives. The materials that make up the product are non-toxic.