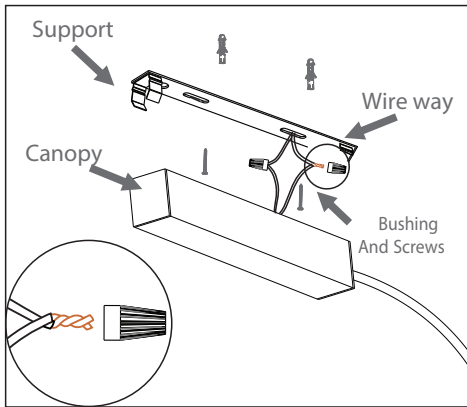
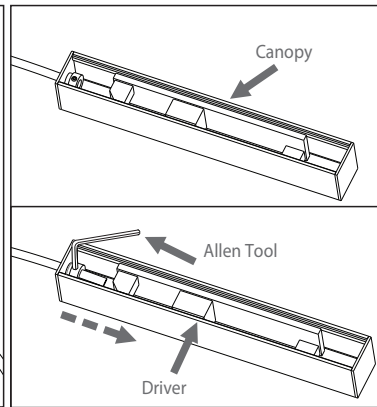


1° Fix the parabol on the ceiling.
Obs.: To fix on the concrete use the S4 Bushing and concrete screw (small). To fix in plaster/drywall use the Drywall Screw (big) with a specific bushing that is not contained in product package.

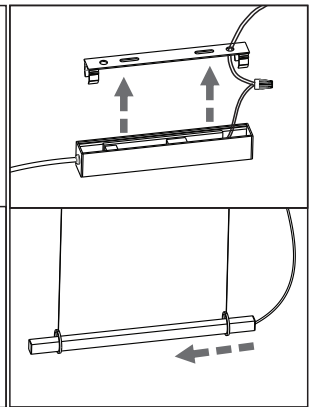
2° Adjust the Iron Wire height on the parabol and fix it on the Parabol Body.



3° Fix the support on the ceiling. (to fix it on concrete please use S6 Bushing and the concrete screw (medium)
Obs.: To fix on Plaster/Drywall use the specific bushings and screws that is not contained in this product package.

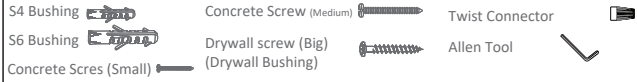


4° Remove the cable from driver and adjust the height and discard the leftover
 5° Pass the cable through the canopy and the cable holder, so use the allen to fix the cable on it.
 6° Instal the cable on the driver.
Obs.: Blue Wire on the Driver Red Connector and White Wire on the Driver Black Connector.



7° Install the electrical part using the Twist connectors.
 8° Fit the canopy on the support until hear a click sound.
 9° Fit the fixture on the rings.

Accessories in the package.



ML-2140 3000K 4400lm 44 7/8" x 1 x 1 1/8" 120V Power: 32W Weight: 1.79 lbs

Product indicated for indoor areas.

Attention

Follow the instructions to ensure proper and safe operation. We recommend that the installation be done by a qualified professional. Recessed ceiling installation requires rigid support point attachment and special installations require special attachment.

Important

Lamps, transformers, and reactors are not included with the product except as noted. Failure to follow the instructions in the manual could result in accidents and loss of warranty. Do not adjust springs and brackets unless otherwise indicated.
 Warranty: 1 year for product and 5 years for Led and Driver.

Cleaning and Maintenance

Before any action turn off the electric current. Clean only with water dampened flannel, never use chemicals or abrasives. The materials that make up the product are non-toxic.