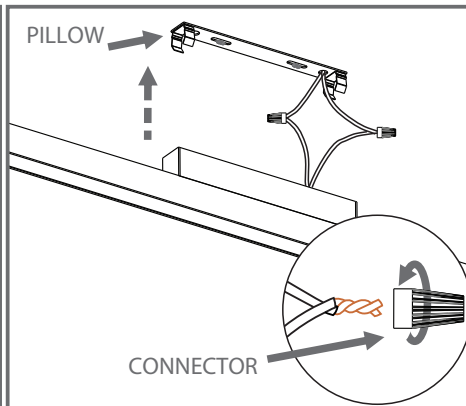
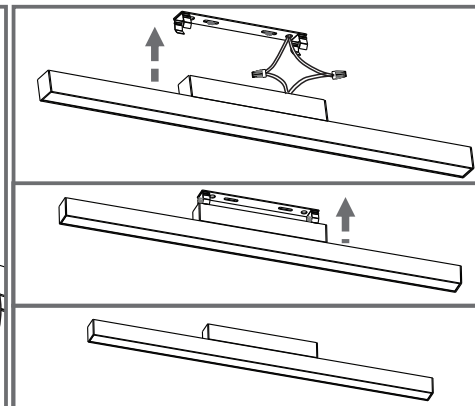


**Product indicated for indoor areas.**  
**1º** Fix the pillow using the fixing kit included in the product. (Bushing / Screw)

OBS.: Let the electrical wire waiting in the pillow hole.



**2º** Use the connectors inside to finish the electrical installation.



**3º** Push the fixture against the pillow until hear a "click" from the spring.

<b>ML-2250</b>	3000K	6600lm	120V	45 1/4"x3"x1 1/5"
<b>ML-2270</b>	3000K	2200lm	120V	22 7/8"x2 1/3"x1"
<b>ML-2272</b>	3000K	4400lm	120V	44 7/8"x2 1/3"x1"

<b>Weight</b> 2.51 lbs	<b>Power</b> 48W
<b>Weight</b> 0.97 lbs	<b>Power</b> 16W
<b>Weight</b> 1.62 lbs	<b>Power</b> 32W

### Attention

Follow the instructions to ensure proper and safe operation. We recommend that the installation be done by a qualified professional. Recessed ceiling installation requires rigid support point attachment and special installations require special attachment.

### Important

Lamps, transformers, and reactors are not included with the product except as noted. Failure to follow the instructions in the manual could result in accidents and loss of warranty. Do not adjust springs and brackets unless otherwise indicated.  
 Warranty: 1 year for product and 5 years for Led and Driver.

### Cleaning and Maintenance

Before any action turn off the electric current. Clean only with water dampened flannel, never use chemicals or abrasives. The materials that make up the product are non-toxic.