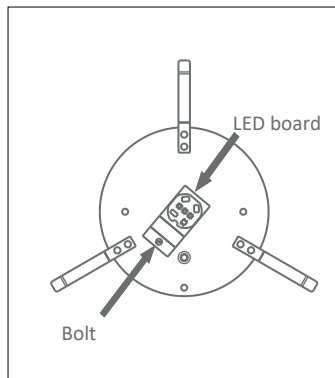


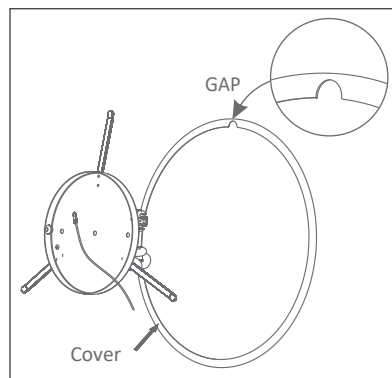
- 1º - Use the lamp base to mark the measure between the holes to fit the bushings.
- 2º - Install on the electrical network.
- 3º - Fix the lamp base on the ceiling/wall.



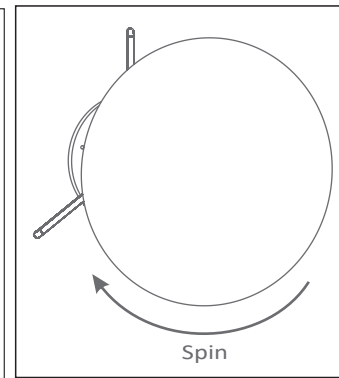
LED board included, please verify if the tension is the same indicated on product.

Auxiliar driver is not required.

To replace the LED board, remove the bolt indicated on the image above.



- 3º - Fix the cover on the lamp base, fixing first two of the rods, the third rod have to be align with the gap.



- 6º - Spin the cover to finish it and enjoy it.

ML-2290	2700K	400lm	Ø5.90 x 2 1/3"	120V	Power: 6W	Weight: 0.24 lbs
ML-2291	2700K	400lm	Ø10 1/3" x 3 1/2"	120V	Power: 6W	Weight: 0.65 lbs
ML-2292	2700K	800lm	Ø15 3/4" x 3 1/2"	120V	Power: 12W	Weight: 2.07 lbs
ML-2293	2700K	1200lm	Ø23 5/8" x 3 1/2"	120V	Power: 18W	Weight: 4.14 lbs

Attention

Follow the instructions to ensure proper and safe operation. We recommend that the installation be done by a qualified professional. Recessed ceiling installation requires rigid support point attachment and special installations require special attachment.

Important

Lamps, transformers, and reactors are not included with the product except as noted. Failure to follow the instructions in the manual could result in accidents and loss of warranty. Do not adjust springs and brackets unless otherwise indicated.

Warranty: 1 year for product and 5 years for Led and Driver.

Cleaning and Maintenance

Before any action turn off the electric current. Clean only with water dampened flannel, never use chemicals or abrasives. The materials that make up the product are non-toxic.