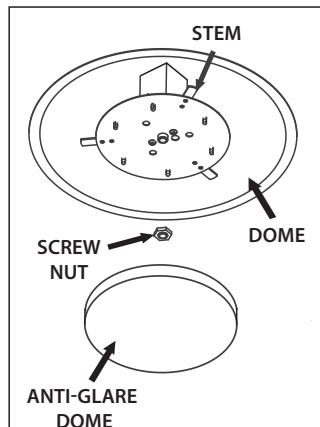
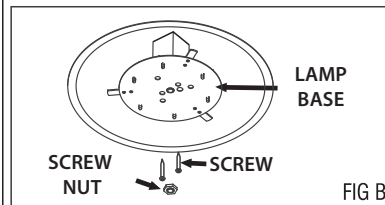
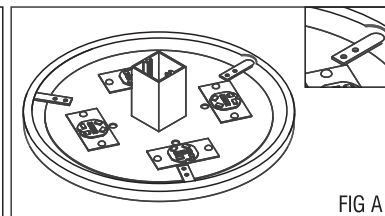


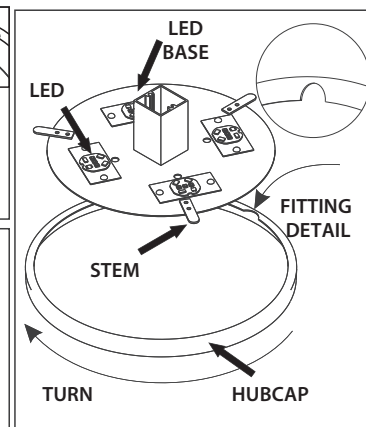
- 1º Make the specified niche for the part model
- 2º Join the crosspiece and the dome trying to leave the hole centralized, for the entrance of the threaded part of the tube.
- 3º Make the electrical installation.



- 4º Screw the nut onto the nipple until you see that the dome is fixed to the recessed lining



- 5º Fit the anti-glare dome in two of the stem then turn it until the third stem fits in the cutout, making sure that it is fixed by the base of the lamp. As illustrated in FIG A'
- 6º If it is necessary to change the LED, release the two screws and the nut releasing the lamp base As illustrated in FIG B'



- 7º Remove the rivets and remove the LED
- 8º Paste the new LED and make the electrical connection again

ML-2267 Ø23 7/8" x 5 3/4" 120V

Power Max: 30W

Weight: 4.03 lbs

Cutting area: Ø22 7/8"

Product indicated for indoor areas.

Attention

Follow the instructions to ensure proper and safe operation. We recommend that the installation be done by a qualified professional. Recessed ceiling installation requires rigid support point attachment and special installations require special attachment.

Important

Lamps, transformers, and reactors are not included with the product except as noted. Failure to follow the instructions in the manual could result in accidents and loss of warranty. Do not adjust springs and brackets unless otherwise indicated.

Warranty: 1 year for product and 5 years for Led and Driver.

Cleaning and Maintenance

Before any action turn off the electric current. Clean only with water dampened flannel, never use chemicals or abrasives. The materials that make up the product are non-toxic.